

# Multi point lock for doors

PATENT

Used for inward- and outward-opening front doors.

## Face plate

25 x 2 mm, round plate edges

## Bolt bar

Flat 11 x 2.9 mm

## M5000

Key turn 360°

## M5100

Key turn 90°

## Side bolt

Hook bolt, 2 pcs., bolt stroke 25 mm.  
Latch bolt and dead bolt.

## Rower

Square 8 mm

## Operation and features

When the door is unlocked, hook/wedge bolts and dead bolt are retracted. The latch bolt is in operation and keeps the door in place and closed. The handle is horizontal and is pushed down to open the door. The door can be closed without turning the handle. Locking is done by turning the handle upwards. The handle goes back to a horizontal position. The locking is then done with a key or turn catch. The dead bolt goes into operation and is locked together with the hook/wedge bolts.

## Accessories

Receiver, page F 109–F 111, F 112–F 113.

Door handle ASSA or handle without return spring.

Also available with micro switch.

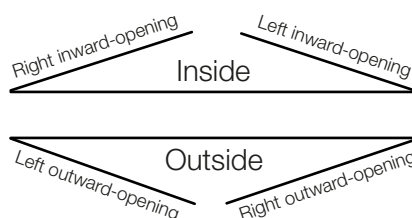
Assa drill protection fitting LS 12209.

## Transmission casement stay

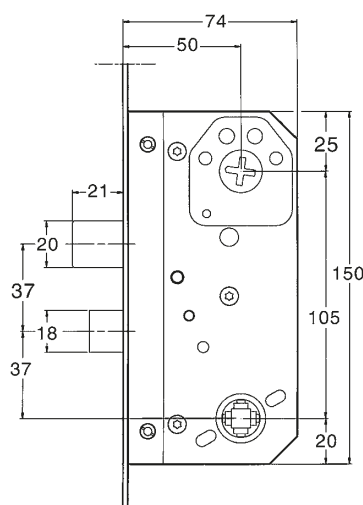
No

## Right/left

Not identical, see symbol.



## Lock housing



## M5000

